



# DRAPERY HARDWARE



**Motorizing Assembled Set**  
**07-15-2019**

# Table Of Contents

## **Guide on How to Order** .....

Guide on how to order.....2

Made to Measure Traverse Rod.....3

## **Motorizing Drapery Rod Assembling Set** .....

Galaxy - DC Motor DM8950.....4

## **Tubular Motor Assembling Set** .....

Ali - DT8450(045).....5

Janet - DT8400 (035).....6

Sonata - DT8250 (025).....7

## How to Order

For Express Service, have the item No., Quantity, Color Number (finish) and Size terms - Net 30 Days

### Shipment

Orders totaling \$500.00 or more at book price are prepaid via the most economical way. If other than the most economical way is specified, difference will be charge to the dealer. Drop shipments will be prepaid with charges added to invoice. Any claims for shortage or discrepancies must be reported promptly upon receipt of shipment no later than 30 days. Applies to continental US only.

### UPS Limits

130 Inches length and girth combined, 108 inches maximum length. Some items, when shipped in full pack or multicultural quantities, may exceed UPS limits. Every attempt will be made to ship by the least costly means possible.

### Payment of Invoices

Remit to the address on the invoice. Please pay no accounts to salesman or other places except on out written order.

### Credit

Open accounts are solicited with dealers who have established credit. If you are not sure that your financial responsibility is given in the standard rating books, please include banking and business references with your order and as much additional information as you care to give.

### Loss and Damage

Available upon request, is a copy of the original bill of landing signed by the transportation company, which is accepted as conclusive proof that the goods were delivered to the carrier in perfect condition. Loss or damage in transit should be taken up by you or the transportation company. When filing claims, present itemized statement, original bill of landing and copy of invoice.

### Delays

All orders will receive careful and prompt attentions. This company will not be responsible for unavoidable delays in making shipment, or delays over which it has no control.

State and/or local sales taxes will be applied where applicable.

## Return Goods

### No return after 30 days of invoice date and additional 20% Re-stocking charge

When desiring to return any merchandise, first, write for permission to same place where shipment was made, giving reason for returning, description, quantity, invoice date and number covering shipment. Returned good will not be accepted unless permission is obtained. Any return merchandise must be in original cartons and listed in our current price list. Returned goods are to be sent prepaid to the original shipping place from which your shipment was made. If we are not at fault, a handling and re-stocking charge of 20%, will be made.

**All prices subject to change without notice. Price do not include any Federal, State or Local Taxes**



# Made to Measure Traverse Rods

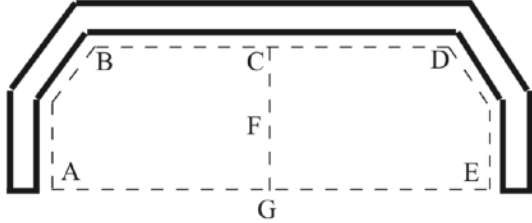
## Curved or Bent Track

When ordering track sets please note the following instructions

1. Designate Style of Track: Heavy Duty or Standard
2. Clearly state ser number as indicated
3. Specify whether it is "type" I-II-III-IV-V, give dimensions as indicated, A-B-C, etc

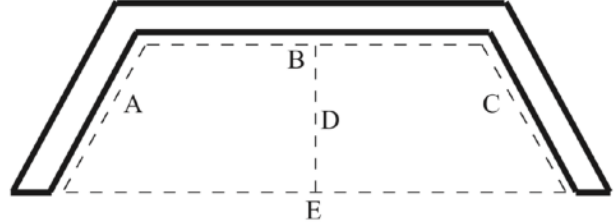
## Made to Measure Traverse Rods for Corner, Bays and Windows

I



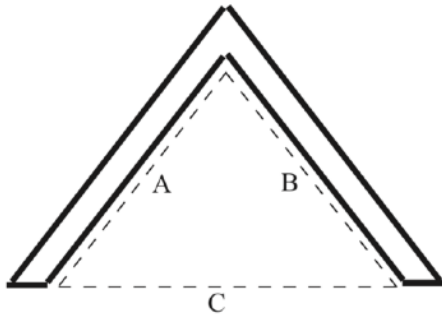
Use this diagram when ordering **Bay Window Rods** with four bends using actual window measurements

II



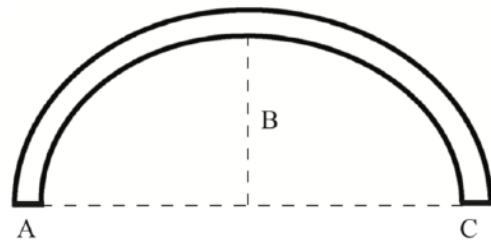
Use this diagram when ordering **Bay Window Rods** with two bends using actual window measurements shown on this diagram is used angle is more than 90.

III



Please include the above diagram when ordering **Corner Window Traverse Rods.** Give accurate and actual window measurements.

IV



Please include the above diagram when ordering **Curved Traverse Rods.** Give accurate and actual window measurements.

**Be sure to specify whether mounting to ceiling (with stirrup) or brackets and supports.**

### Add this cost for bending

First bend per rod \$15.00, succeeding bend \$10.00

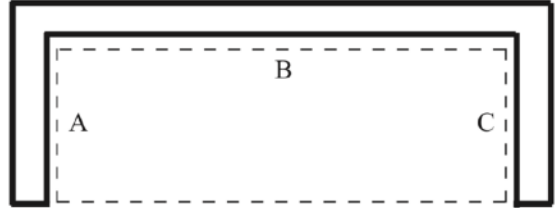
### Curved Rod

\$1.50 ea per ft. Minimum charge is \$15.00

### Crating Charge

Curved track minimum charges \$20.00 or 20% of curser track order

V



Please include the above diagram when ordering **Bay Window Traverse Rods.** Which have bends and angles of 90.

### Ordering Information

Made to measure curved and corner windows rods are shipped completely assembled, ready for easy installation.

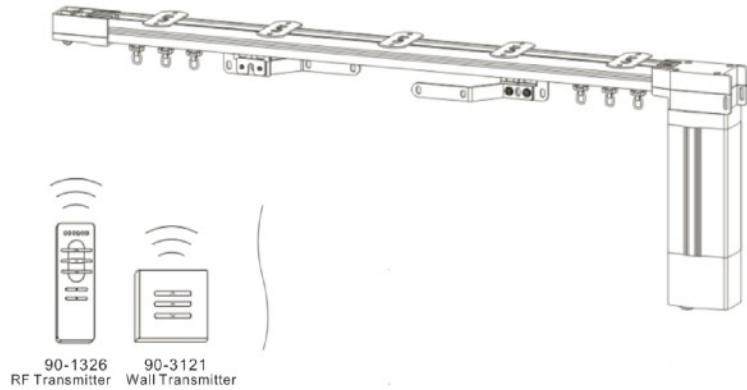
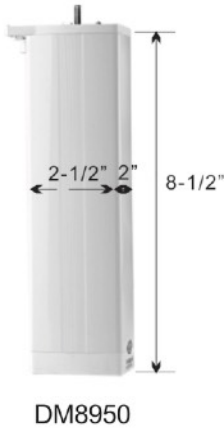
### When ordering be sure to specify

1. Stock number
2. Heavy duty or Standard track
3. Rod description  
Hand or cord traversed, if installation is to be made on ceiling, casing or recessed
4. Measurements  
Give all measurements, angles and projections.  
Be sure to indicate a simple diagram of the window as indicated above. Angle in degrees can be determined by protractors



# Motorizing Drapery Rod Assembling Set

Model: Galaxy - DC Motor DM8950  
 Max. Load Capacity: Up to 150 lbs  
 Textile Operating System



## Specifications

Rated Voltage	Rated Torque	Max Load Capacity	Rated Frequency	Rated Power Input	Rated Speed	Self-Protection Time
110 V	0.4 Nm	150 lbs	60 Hz	90 w	133 rpm	6 min

## Item # 90-4950-XX (Item Code)

Size (Code)	Up to 72" (06)	73" - 84" (07)	85" - 96" (08)	97" - 108" (09)	109" - 120" (10)	121" - 132" (11)	133" - 144" (12)	145" - 156" (13)
Price	\$647.77	\$658.77	\$669.77	\$680.77	\$691.77	\$702.77	\$713.77	\$724.77
Size (Code)	157" - 168" (14)	169" - 180" (15)	181" - 192" (16)	193" - 204" (17)	205" - 216" (18)	217" - 228" (19)	229" - 240" (20)	241" - 252" (21)
Price	\$741.27	\$757.77	\$774.27	\$807.27	\$840.27	\$873.27	\$906.27	\$939.27

## Parts

Item Picture							
Price	\$394.42	\$3.92 ft	\$2.30 ft	\$15.92	\$5.90	\$0.37	\$1.36
Item Picture							
Price	\$0.91	\$34.51	\$46.06	\$0.92	\$0.74	\$0.56	\$0.54

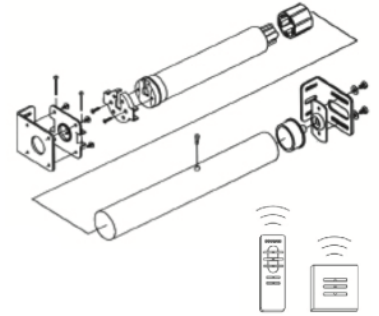


# Tubular Motor Assembling Set

Model: Ali - DT8450(045)  
 AC Motor: Max. Capacity: Up to 125 lbs  
 Built-in Receiver

Assembling Drawing

Item #  
 90-4508-XX (Item Code): DT8550A-08/20, 72 bls  
 90-4512-XX (Item Code): DT8550B-12/26, 96 bls  
 90-4515-XX (Item Code): DT8550C-15/20, 125 bls



Item Code	Size	DT8550A-08/20	DT8550B-12/26	DT8550C-15/20
04	Up to 48"	\$395.11	\$439.07	\$494.07
05	49" - 60"	\$400.57	\$444.57	\$499.57
06	61" - 72"	\$411.57	\$455.57	\$510.57
07	73" - 84"	\$417.07	\$461.07	\$516.07
08	85" - 96"	\$428.07	\$472.07	\$527.07
09	97" - 108"	\$443.85	\$487.85	\$542.85
10	109" - 120"	\$461.45	\$503.25	\$558.25
11	121" - 132"	\$472.73	\$524.43	\$579.43
12	133" - 144"	\$494.73	\$546.43	\$601.43
13	145" - 156"	\$516.73	\$568.43	\$623.43
14	157" - 168"	\$538.73	\$589.33	\$654.43

## Parts

Item Picture						
	90-8450A	90-8450B	90-8450C	90-3503	90-3504	90-3505
Price	\$218.77	\$251.77	\$275.88	\$3.48 ft	\$3.52	\$11.88
Item Picture						
	90-3506	90-1326	90-2518	90-3508	90-3509	90-3510
Price	\$14.97	\$32.87	\$3.25	\$21.95	\$21.95	\$21.95



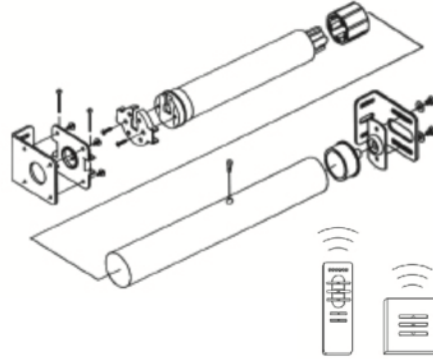
# Tubular Motor Assembling Set

Model: Janet - DT8400 (035)

AC Motor: Max. Capacity: Up to 100 lbs

Built-in Receiver

Assembling Drawing










Item # 90-4006-XX (Item Code) : DT8400 A-6/28

Item Code	Size	DT8400 A-6/28
04	Up to 48"	\$286.01
05	49" - 60"	\$297.01
06	61" - 72"	\$308.02
07	73" - 84"	\$319.02
08	85" - 96"	\$330.03

**Roller Shade More Than 8' -Using DT8450 (045) Recommended**

**Roman Shade: Tube Every 6 ft, Need Connecting Bracket To Support - Preventing Sagging Tube**

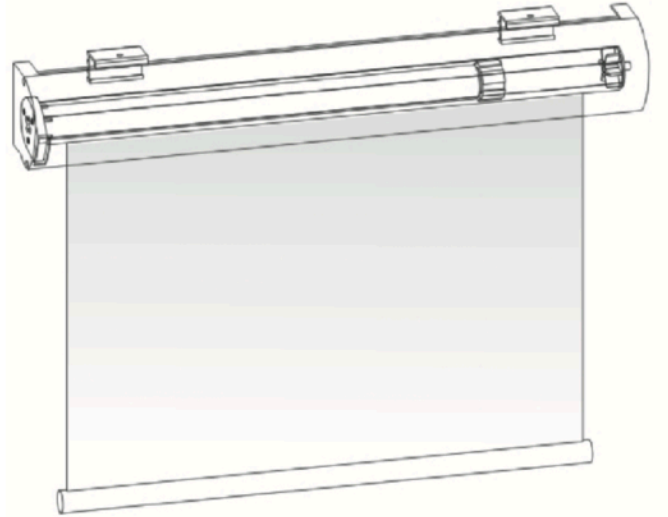
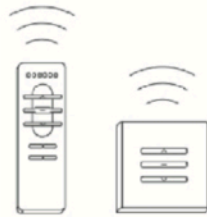
## Parts

<b>Item Picture</b>						
	90-8400					
<b>Price</b>	\$157.21					
<b>Item Picture</b>						
	90-3506	90-1326	90-2518	90-3503	90-3504	90-3505
<b>Price</b>	\$14.97	\$32.87	\$3.25	\$3.48 ft	\$3.52	\$11.88



# Tubular Motor Assembling Set

Model: Sonata - DT8250 (025)  
 DC Motor: Max. Capacity: 15 lbs  
 Recharger Lithium Battery  
 Built-in Receiver



Applied For Shade

### Item #: 90-2502-XX (Item Code)

Size (Code)	Up to 24" (02)	25" - 36" (03)	37" - 48" (08)	49" - 60" (09)	61" - 72" (10)	73" - 84" (10)
Price	\$268.38	\$277.18	\$285.98	\$294.78	\$303.58	\$328.77

### Parts

Item Picture	90-8250	90-2501	85-3503	88-3504	88-3505	85-3506	90-1326
Price	\$218.77	\$16.72	\$2.18 ft	\$2.60	\$2.77	\$5.02	\$32.87









A series of horizontal lines for writing notes, spanning the width of the page.



# **DK Drapery Hardware**

826 Wall St - Los Angeles, CA 90014

Tel: (213)327-0020 Fax: (213)327-0030